

Lectern

T-6236

With microphone, light and built in amplifier and speakers



DESCRIPTION

This Lectern is an attractive all-in-one public address podium and sound system - sleek looking, with powerful, clear sound.

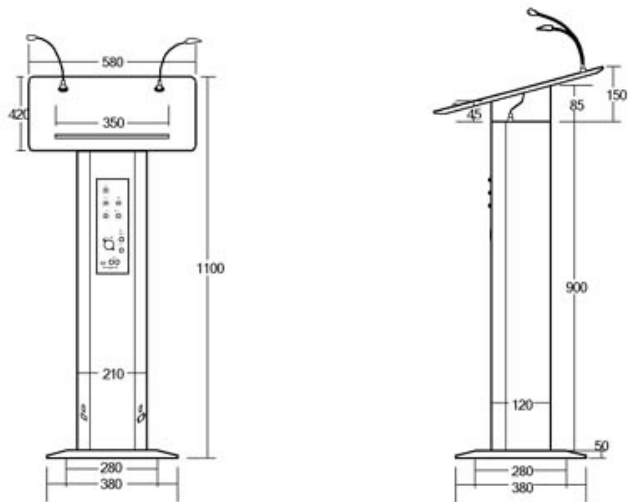
It has a built in 60w amplifier and 60w column speaker, and is supplied with a flexible gooseneck microphone and gooseneck lamp for the reading surface.

A number of input and output connections make it easy to expand its capacity with line-in for ipod or laptop sound, and line-out so you can connect to other amplifiers and speakers if you need to cover a larger audience or record the meeting.

It has a wooden top plate with steel body and bottom and is easy to move around. Four speakers are mounted in the vertical column and the volume controls are conveniently located within easy reach on the rear.

The microphone length is 47cm, and the lamp is 45cm.

Perfect for Hotels, Schools, Churches and Corporate



Control panel

SPECIFICATIONS

| | |
|---------------------------|---|
| Model | T-6236 |
| Power Supply | ~230V / 50Hz |
| Power Consumption | 100w |
| Frequency Response | 100Hz ~ 16000Hz |
| Rated Power | 60w |
| Inputs | Mic 1: -50dB +/- 2dB/680 ohms Mic 2: -55dB +/- 2dB/600 ohms Aux: -20dB +/- 2dB/ 50 ohms |
| Output | 1V/0dB |
| Tone Controls | Bass: +/-10dB Treble: +/-10dB |
| Range | 15-30 metres |
| Dimensions | 580(W) x 420(D) x 1100(H) mm |
| Weight | 29Kg |

EDWARDS
SOUND / LIGHTING / AUDIO-VISUAL

EDWARDS SOUND SYSTEMS LTD

Showroom: 68 Walls Road, Penrose, Auckland, New Zealand. Ph (+64) 09 571 0551
PO Box 12 834, Penrose, Auckland 1642, New Zealand. sales@edwardsnz.co.nz

Fax 09 579 3746
www.edwardsnz.co.nz